



MC chair series - your design advantage

We are glad to introduce you the new chair series, called MC. The name of series comes from the name of material used for upholstery of the chairs, «mesh».

MC seria is created to meet customers demand in a project and design market segment. Carefully designed model range, precise model structure and full range of technical characteristics produces great impact both on customers and sellers.

MC chair series model numbers contain full description of the item.

1st figure	Series	Series number based on price in ascending order	From 2 - 9
2nd figure	Height of chair back	Low back	0
		High back	1
3rd figure	Type of base	Plastic base	1
		Chrome base	2
		Sectional (KD) metal base	4
		Aluminum base	5
		Chrome canteliver	6
		Sectional canteliver	9
		Colour canteliver	first letter of colour name
		Caps instead of castors	Z
Hyphen	Headrest	Headrest	H
	Footrest	Footrest	F

First figure (from 2-9) - is a series number based on price in ascending order. Thus you understand price level of the item.

Second figure describes the height of chair back:

«0» - low back

«1» - high back

Third figure stands for the type of chair base whether it will be star-base or canteliver made of certain type of material:

1 - plastic base

2 - chrome base

4 - our exclusive sectional metal base

5 - aluminum base

6 - canteliver

9 - our exclusive sectional canteliver

If a chair has a headrest, there is «H» letter in a chair model number.

Name of colours and other upholstery material are indicated after «/» sign.

TABLE OF CONTENTS



Operator
Chair
MC-201-H6



Operator
Chair
MC-411,
MC-W411T14



Operator
Chair
MC-71520



Operator
Chair
MC-2018



Executive
Chair
MC-612-H,
MC-W612-H16



Executive
Chair
MC-815-H22



Visitor
Chair
MC-2099



Operator
Chair
MC-61218



Executive
Chair
MC-411-H,
MC-W411-H10



Visitor
Chair
MC-61919

OPERATOR CHAIR
MC-201-H

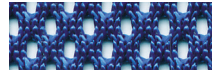


Construction

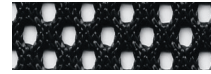
- Swivel tilting mechanism, tilting and tilt lock at upright position
- Height adjustment (gas lift)
- Headrest with height and inclination angle adjustment
- Weight limit - 120 kgs
- BIFMA standard
- 2-year warranty

Upholstery material

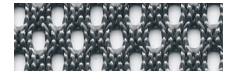
Mesh / Fabric



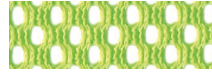
TW-05



TW-01



TW-04



TW-03A

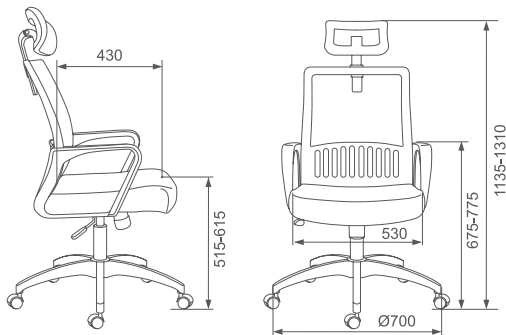


TW-35N / On order

Adjustment



Sizes



Model numbers

ItemNo	PartNo
1067273	MC-201-H/BL/TW-II
1067271	MC-201-H/DG/TW-II
1067270	MC-201-H/SD/TW-II
1067269	MC-201-H/TW-II

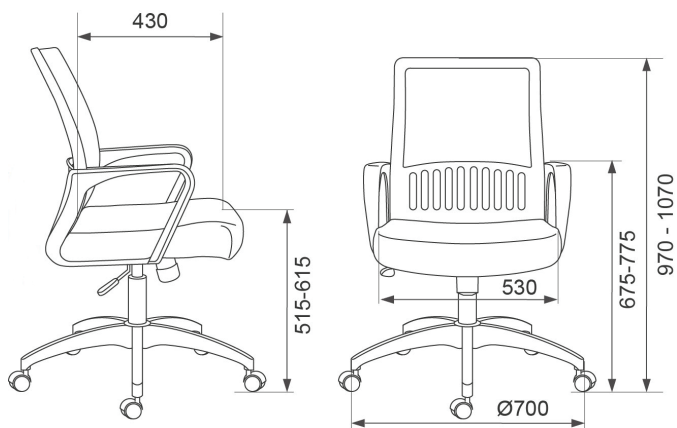
OPERATOR CHAIR MC-201

Construction

- Swivel tilting mechanism, tilting and tilt lock at upright position
- Height adjustment (gas lift)
- Weight limit - 120 kgs
- BIFMA standard
- 2-year warranty



Sizes



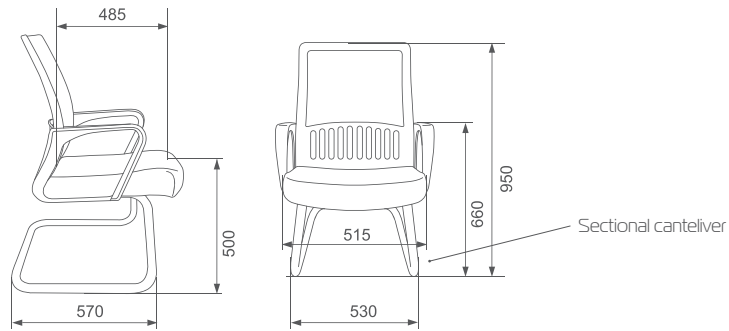
Adjustment



VISITOR CHAIR

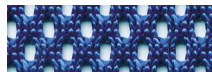
MC-209

Sizes

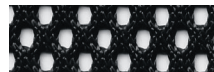


Upholstery material

Mesh / Fabric



TW-05



TW-01



TW-04



TW-03A



TW-35N / On order

Model numbers

ItemNo	PartNo
1067268	MC-201/BL/TW-11
1067266	MC-201/DG/TW-11
1067265	MC-201/SD/TW-11
1067263	MC-201/TW-11
1071051	MC-209/B/TW-11
1071056	MC-209/BL/TW-11
1071053	MC-209/DG/TW-11
1071052	MC-209/SD/TW-11



EXECUTIVE
CHAIR
MC-411-H
MC-W411-H



Black plastic



Chrome base



White plastic



Construction

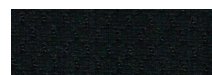
- Syncro mechanism, synchronized tilting and tilt lock at upright position
- Height adjustment (gas lift)
- Headrest with height adjustment
- Weight limit - 120 kgs
- BIFMA standard
- 2-year warranty

Upholstery material

Mesh / Fabric



26-25



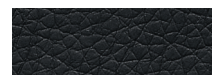
26-28



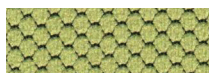
TW-04



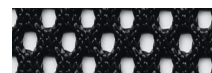
26-21



Oregon-16

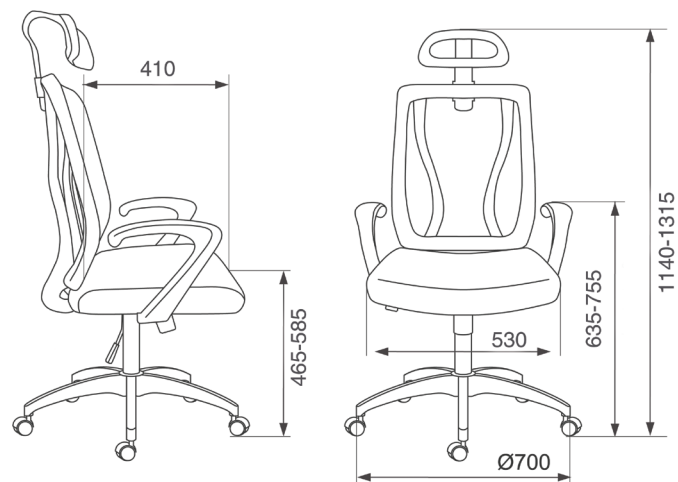


26-32



TW-01

Sizes



Adjustment



Model numbers

ItemNo	PartNo
1070779	MC-411-H/26-28
1070780	MC-411-H/B/26-21
1070778	MC-411-H/DG/26-25
1070845	MC-W411-H/26-28
1070844	MC-W411-H/B/26-21
1070842	MC-W411-H/DG/26-25
1070843	MC-W411-H/DG/26-32



OPERATOR CHAIR

MC-411

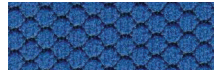
MC-W411T

Construction

- Syncro mechanism, synchronized tilting and tilt lock at upright position
- Height adjustment (gas lift)
- Weight limit - 120 kgs
- BIFMA standard
- 2-year warranty

Upholstery material

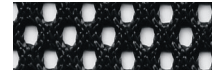
Mesh / Fabric



26-21



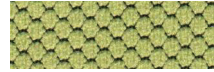
26-25



TW-01



26-28

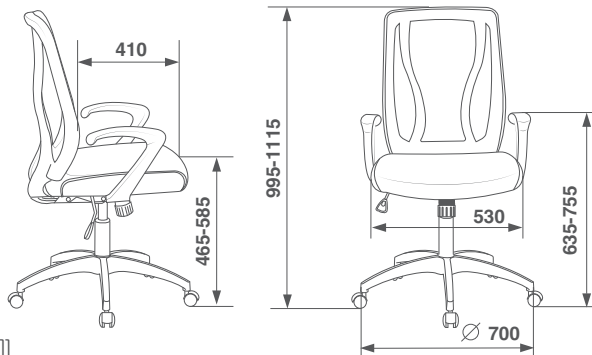


26-32

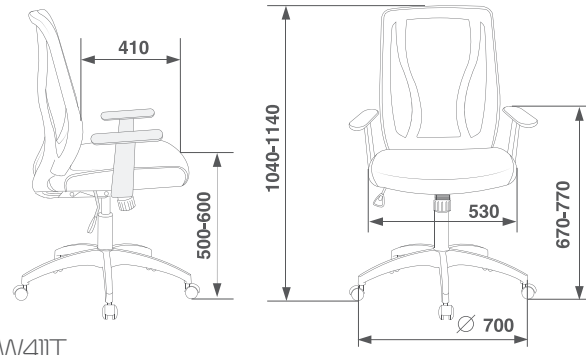


TW-04

Sizes



MC-411



MC-W411T

Adjustment



Model numbers

ItemNo	PartNo
1100496	MC-411/26-28
1100497	MC-411/DG/26-25
1111550	MC-W411T/26-28

EXECUTIVE CHAIR

MC-612-H MC-W612-H

BAHAMA fabric is very soft, nice, practical and highly abraisin resistant (100 000 cycles according Martindale test) material



MC-612-DG-Denim



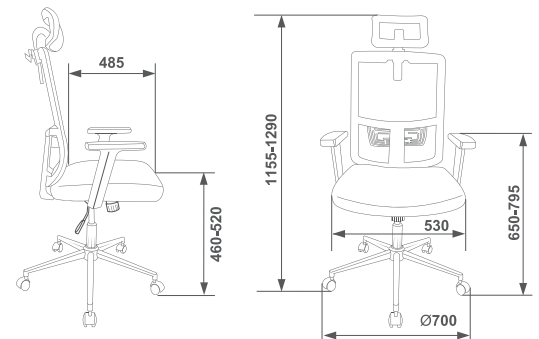
MC-W612-H-GR-Grafit

Construction

- Syncro mechanism, synchronized tilting with any position lock
- Lumbar support
- Height adjustment (gas lift)
- Headrest with height and inclination angle adjustment
- Hanger for light clothes
- Height adjustable plastic armrests
- Molded foam for seat

- Chrome base
- Weight limit - 120 kgs
- BIFMA standard
- 2-year warranty

Sizes



Adjustment



Upholstery material

Mesh / Fabric

Bahama



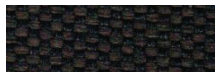
BAHAMA BEIGE



BAHAMA DENIM



BAHAMA GREEN



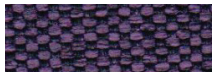
BAHAMA BROWN



BAHAMA BERRY



BAHAMA GRAFFIT

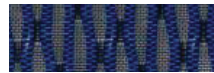


BAHAMA VIOLET

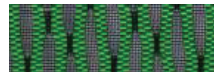
MC-612-H_26-B01



BM-10



BM-17

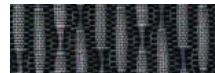


BM-14

Seat fabric



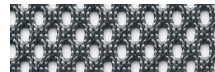
26-B01



BM-11



BM-12



TW-04

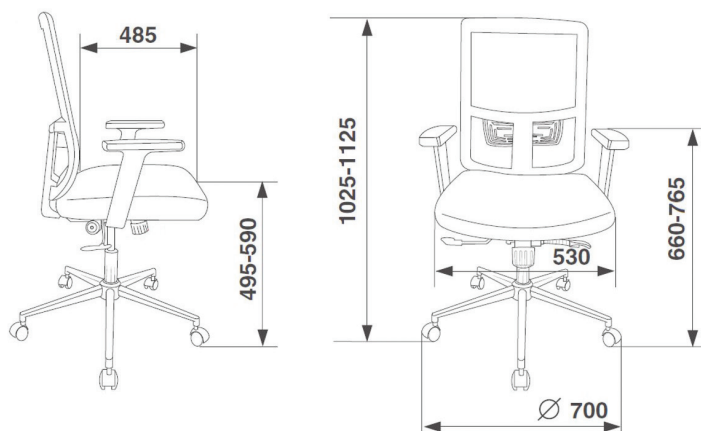
Model numbers

ItemNo	PartNo
1102380	MC-612-H/32G/26-B01
1102387	MC-612-H/32G/GRAFIT
1064583	MC-612-H/B/26-B01
1064584	MC-612-H/BL/26-B01
1070915	MC-612-H/DG/BERRY
1070917	MC-612-H/DG/DENIM
1070914	MC-612-H/DG/GREEN
1070916	MC-612-H/DG/VIOLET
1064718	MC-612-H/GN/26-B01
1064586	MC-612-H/GR/26-B01
1064587	MC-612-H/R/26-B01
1083892	MC-W612-H/GR/GRAFIT



OPERATOR CHAIR MC-612

Sizes



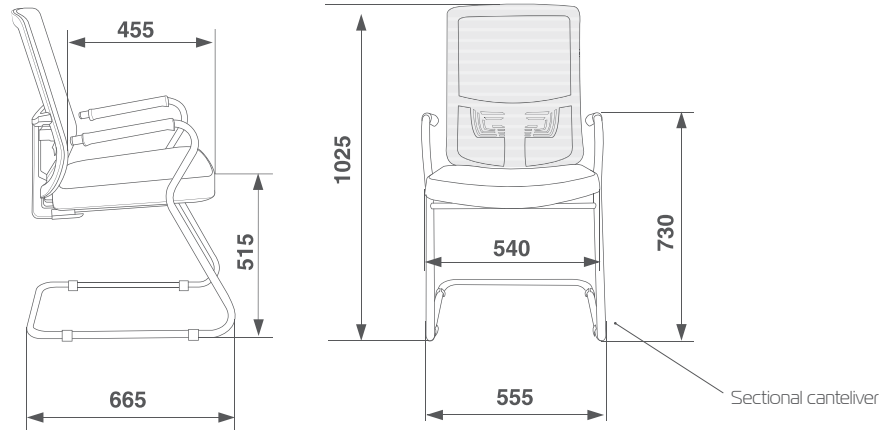
Construction

- Syncro mechanism, synchronized tilting with any position lock
- Lumbar support
- Height adjustment (gas lift)
- Plastic armrests
- Molded foam for seat
- Chrome base
- Weight limit - 120 kgs
- BIFMA standard
- 2-year warranty

VISITOR CHAIR

MC-619

Sizes



Upholstery material

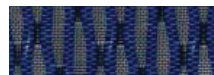
Mesh / Fabric



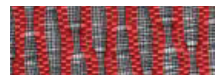
BM-10



BM-11



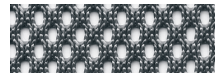
BM-17 / On order



BM-12 / On order



BM-14 / On order



TW-04 / On order

Seat fabric



26-B01

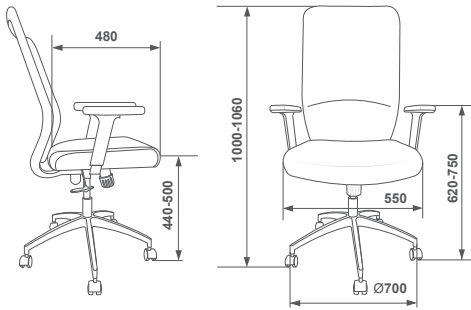
Model numbers

ItemNo	PartNo
1100503	MC-612/B/26-B01
1122140	MC-619/B/26-B01
1122139	MC-619/GR/26-B01



OPERATOR CHAIR
MC-715

Sizes



Construction

- Syncro mechanism, synchronized tilting with 4-5 position lock
- Height adjustment (gas lift)
- Plastic 3D armrests with PU pad
- Molded foam for seat
- Lumbar support with height adjustment
- Aluminum base
- Castors d=60 mm for laminated floor

- Weight limit - 120 kgs
- BIFMA standard
- 2-year warranty

Adjustment



Upholstery material

Mesh / Fabric

Seat

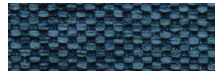


26-B01



BAHAMA GRAFFIT

On order:



BAHAMA DENIM



BAHAMA VIOLET

Back/ mesh



BM-11

Model numbers

ItemNo	PartNo
1082379	MC-715/B/26-B01
1122729	MC-715/B/GRAFFIT

EXECUTIVE
CHAIR
MC-815-H



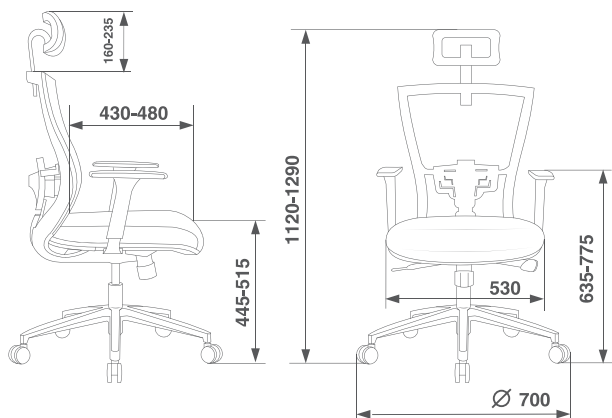
Adjustment



Construction

- Syncro mechanism, synchronized tilting with 3 position lock
- Seat slider
- Height adjustment (gas lift)
- Ergonomic back with lumbar support adjusted up/down and forward/ backward
- Headrest with height and inclination angle adjustment
- Plastic 3D armrests with PU pad
- Molded foam for seat
- Plastic seat cover
- Aluminum base
- Castors for laminated floor
- Weight limit - 130 kgs
- BIFMA standard
- 2-year warranty

Sizes

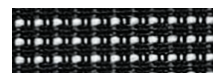


Upholstery material

Mesh / Fabric



MA01-BLACK



MA02-GREY



FB01-BLACK



FB02-GREY

Model numbers

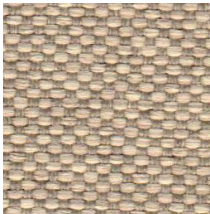
ItemNo	PartNo
1064819	MC-815-H/B/FB01
1064820	MC-815-H/B/FB02
1064927	MC-815-H/LG/FB01

Model number	Chair height, mm		Headrest height, mm		Seat height, mm		Armrest height, mm		Height with armrests, mm		Chair depth, mm		Seat depth, mm		Back height, mm		Width with armrests, mm
	max	min	max	min	max	min	max	min	max	min	max	min	max	min	max	min	
MC-201	1070	970	-	-	615	515	160	160	775	675	670	670	430	430	455	455	580
MC-201-H	1310	1135	235	160	615	515	160	160	775	675	715	715	430	430	455	455	580
MC-209	950	950	-	-	500	500	160	160	660	660	610	610	485	485	450	450	590
MC-411, MC-W411T	1115	995	-	-	585	465	170	170	755	635	640	640	410	410	530	530	610
MC-411-H, MC-W411-H	1315	1140	175	95	585	465	170	170	755	635	690	690	410	410	530	530	610
MC-612	1125	1025	-	-	590	495	170	170	765	660	840	630	485	485	530	530	610
MC-612-H, MC-W612-H	1290	1155	240	160	520	460	275	190	795	650	950	665	485	485	530	530	680
MC-619	1025	1025	-	-	515	515	215	215	739	730	665	665	455	455	510	510	555
MC-715	1060	1000	-	-	500	440	250	180	750	620	905	695	480	480	560	560	640
MC-815-H	1290	1120	235	160	515	445	260	190	775	635	910	650	480	430	530	530	670

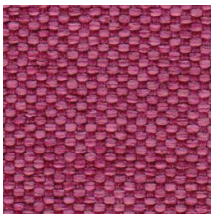
Seat width, mm	Base diameter, mm	Canteliver width and depth, mm		Net weight, kg		Carton model number	Sizes of carton, mm (l. w. h.)			Carton volume, м3	Quantity of cartons on pallet, pcs	Sizes of full pallet, mm (l. w. h.)		
				нетто	брутто		l	w	h			v	l	w
530	700	-	-	10,15	11,50	+K69/24	710	270	670	0,128	12	1200	800	2154
530	700	-	-	10,95	12,30	+K69/24	710	270	670	0,128	12	1200	800	2154
515	-	530	570	9,45	10,80	+K69/24	710	270	670	0,128	12	1200	800	2154
530	700	-	-	12,10	13,85	+K69/25	825	320	670	0,177	9	1200	825	2154
530	700	-	-	12,60	14,25	+K69/25	825	320	670	0,177	9	1200	825	2154
530	700	-	-	13,50	14,85	+K69/24	710	270	670	0,128	12	1200	800	2154
530	700	-	-	15,60	16,95	+K69/24	710	270	670	0,128	12	1200	800	2154
540	-	555	665	13,40	15,05	+K69/19	750	380	670	0,191	9	1200	800	2154
550	700	-	-	14,15	15,80	+K69/25	825	320	670	0,177	9	1200	825	2154
530	700	-	-	18,65	20,30	-	750	390	660	0,193	7	1200	800	1860

Upholstery material used in MC chair series

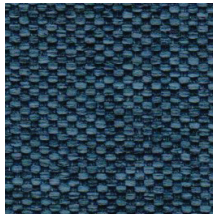
Fabric



BAHAMA BEIGE



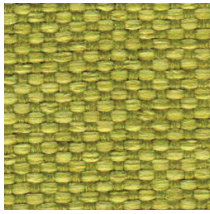
BAHAMA BERRY



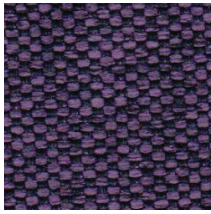
BAHAMA DENIM



BAHAMA GRAFFIT



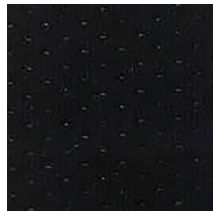
BAHAMA GREEN



BAHAMA VIOLET



BAHAMA BROWN



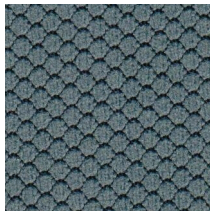
FB01-BLACK



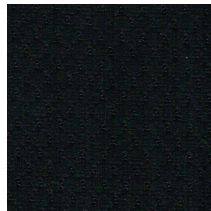
FB02-GREY



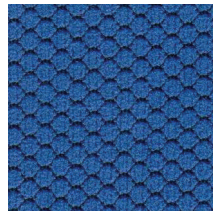
Oregon-16



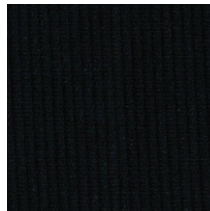
26-25



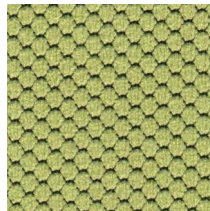
26-28



26-21

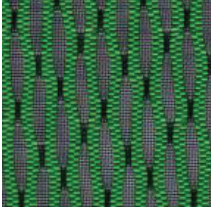


26-B01



26-32

Mesh



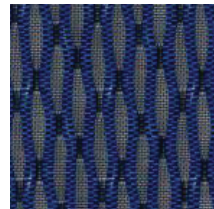
BM-14



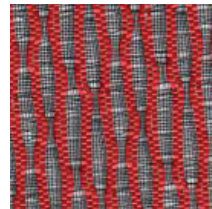
BM-10



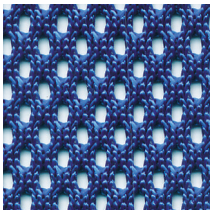
BM-11



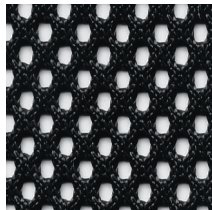
BM-17



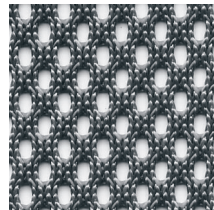
BM-12



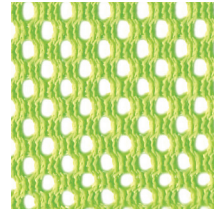
TW-05



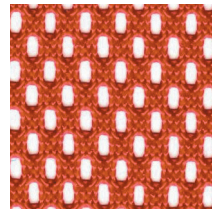
TW-01



TW-04



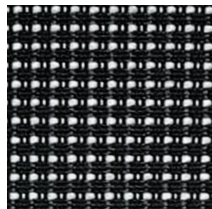
TW-03A



TW-35N / On order



MA01-BLACK



MA02-GREY



бюрократ

MC chair series is created for
a modern design office



www.buro.ru